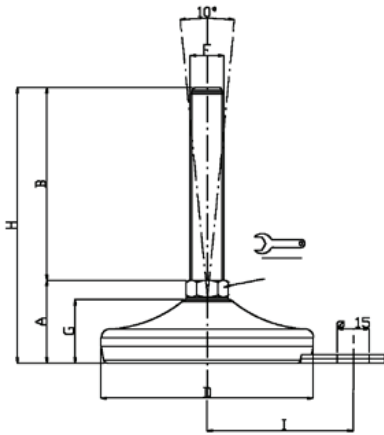


Stainless Steel | Vulcanised Base

Stainless Steel - Base 80 Diameter Bolt Down- 10 Deg. Articulated Screw

Static Load 10000 Newton • 2 Piece part ready for assembly • Pad: Vulcanised rubber NBR 80 shore

Part no. Base	Part no. Screw	Screw	S	B	D	Adjust	F	G	H
11-FBSS80BD	11-FSSS10-75	M10X75	35	75	80	14	M10	25	110
11-FBSS80BD	11-FSSS12-100	M12X100	35	100	80	14	M12	25	135
11-FBSS80BD	11-FSSS16-100	M16X100	38	100	80	13	M16	25	138
11-FBSS80BD	11-FSSS16-150	M16X150	38	150	80	13	M16	25	188
11-FBSS80BD	11-FSSS20-100	M20X100	38	100	80	17	M20	25	138
11-FBSS80BD	11-FSSS20-150	M20X150	38	150	80	17	M20	25	188
11-FBSS80BD	11-FSSS20-175	M20X175	38	175	80	17	M20	25	213



Stainless Steel - Base 100 Diameter - 10 Deg. Articulated Screw

Static Load 15000 Newton • 2 Piece part ready for assembly • Pad: Vulcanised rubber NBR 80 shore

Part no. Base	Part no. Screw	Screw	S	B	D	Adjust	F	G	H
11-FBSS100	11-FSSS16-100	M16X100	42	100	100	13	M16	30	142
11-FBSS100	11-FSSS16-150	M16X150	42	150	100	13	M16	30	192
11-FBSS100	11-FSSS20-100	M20X100	42	100	100	17	M20	30	142
11-FBSS100	11-FSSS20-150	M20X150	42	150	100	17	M20	30	192
11-FBSS100	11-FSSS20-175	M20X175	42	175	100	17	M20	30	217

