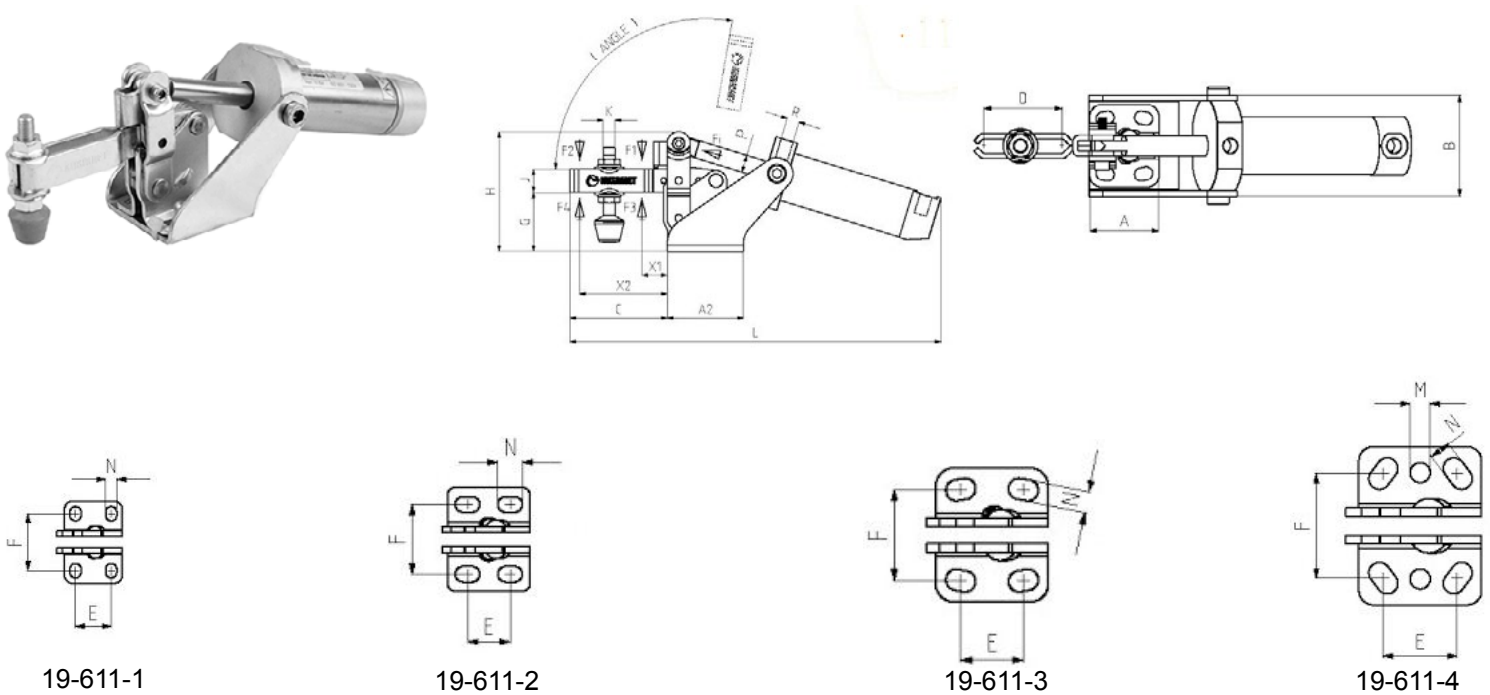


## 611-Pneumatic Toggle Clamps

Body Mounting Base: Horizontal , Tied Front

Part Number	F1 (kg)	F2 (kg)	F3 (kg)	F4 (kg)	Fi	VN (dm3)	Angle	Bar
19-611-1-016	61	40	101	69	12	0.09	95 °	6
19-611-1-020	76	50	101	69	19	0.14	95 °	6
19-611-2	122	71	142	94	30	0.25	95 °	6
19-611-3	203	142	254	159	50	0.51	95 °	6
19-611-4	305	203	336	224	76	1.04	95 °	6

F1-F2 Exerting Force. F3-F4 Holding Capacity. Fi Applied Force



Part Number	A	A2	B	C	D	E	F	G	H	J	K	L	M	N	X1	X2	P	R
19-611-1-016	26	34	44	42	26	16	24-27	25	52	10	M5	185	-	5 x 6.5	16	32	6	G1/4
19-611-1-020	26	34	44	44	26	16	24-27	25	52	10	M5	192	-	5 x 6.5	16	32	8	G1/8
19-611-2	32	42	51	60	42	13-20	27	29	61	13	M6	225	-	6 x 9.5	18	48	10	G1/8
19-611-3	40	52	58	66.5	42	19-25	31.5-32.5	40	81	16	M8	253.5	-	7.5 x 10.5	25	52	12	G1/8
19-611-4	52	95	77	98.5	67	28-34.5	40-48.5	50	104	20	M10	323	8.5	9 x 14.5	32	80	16	G1/8

Pneumatic cylinders are double acting, magnetic & cushioning