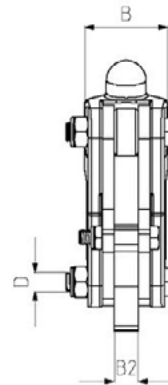
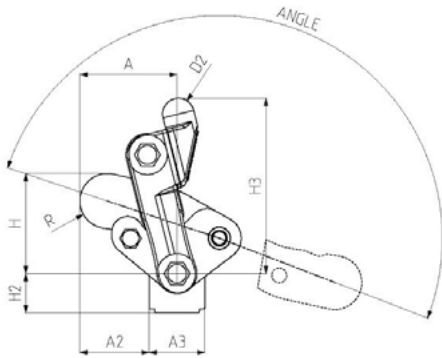


## 232- Vertical Modular Toggle Clamps

Body Mounting Base: Vertical Moving

Part Number	F1 (kg)	Angle
19-232-4	713	190



Forged Steel Arm

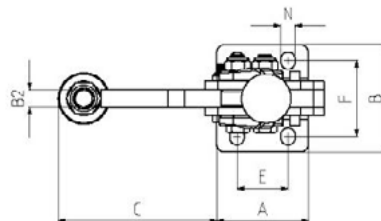
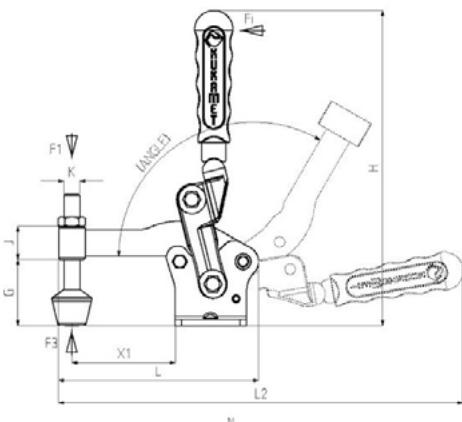


Part Number	A	A2	A3	B	B2	D	D2	H	H2	H3	R
19-232-4	52	37	30	36	10	M8	17	52	23	94.5	15

## 241- Vertical Modular Toggle Clamps

Body Mounting Base: Horizontal

Part Number	F1 (kg)	F3 (kg)	Fi F1:Fi	Angle
19-241-4	152	509	5:1	120 °



Part Number	A	B	B2	C	E	F	G	H	J	K	L	L2	N	X1
19-241-4	54	63	10	88	30	43-46	49	238	27	M12	151	323	8.5x00	78