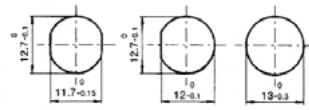


Schurter FPG 1 Series

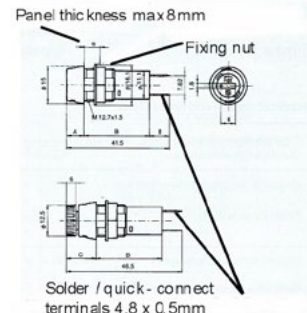
Front Panel Screw Mount - General Purpose Models.



- Part No. 31-010015 Fingergrasp/Bayonet Cap
- Part No. 31-010010 Screwdriver Slot/Bayonet Cap



Panel mounting holes /



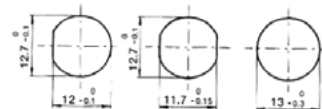
5x20mm

Schurter FPG 2 Series

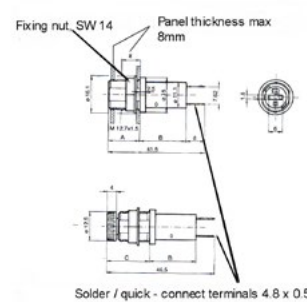
Rear Panel Screw Mount - Allows cost saving prewiring.



- Part No. 31-010025 Fingergrasp/Bayonet Cap
- Part No. 31-010020 Screwdriver Slot/Bayonet Cap



Panel mounting holes /



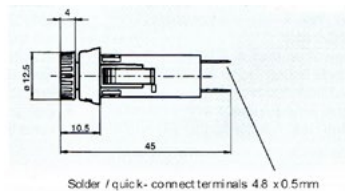
5x20mm

Schurter FPG 3 Series

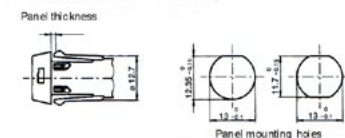
Snap-in Front Panel Mount - Easy fit for time saving operation.



- Part No. 31-010035 Fingergrasp/Bayonet Cap for 1.0 - 1.8mm panel thicknesses
- Part No. 31-010036 Fingergrasp/Bayonet Cap for 2.0 - 3.0mm panel thicknesses
- Part No. 31-010030 Screwdriver Slot/Bayonet Cap for 1.0 - 1.8mm panel thicknesses
- Part No. 31-010031 Screwdriver Slot/Bayonet Cap for 2.0 - 3.0mm panel thicknesses



5x20mm



Technical Data

- Rated Voltage: 250 V
- Rated Current: 10 A to SEV, VDE, SEMKO
16 A to UL, CSA
- Contact Resistance: < 5 mΩ at 20mV
- Ambient Temperature: -25°C to +85°C
- Degree of Protection: - IP40 (IP67 available FPG1 & 2)
Holder complete from the front side
- Materials: Body - PBTP Thermoplastic
Live Parts - Corrosion proof copper alloy

