

Electrical Connector Plugs/Caps

These low density polyethylene plugs are designed to protect electrical connectors from moisture, dirt and dust. The flanged style offers easy removal for a wide range of applications. Useful for tubing and fittings.

Features

Easy removal.

Seals out contaminants.

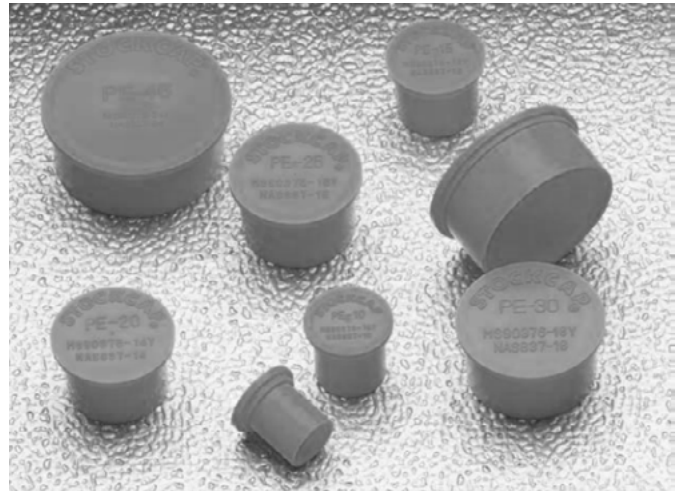
Material

Stock colour :

Plugs: Yellow

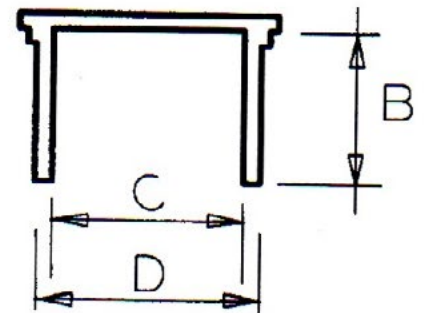
Caps: Red

Standard material is low density polyethylene.



Plugs

Part Number	Thread Size	A	B	C	D
14-PPEL12315	1/2	17.2	15.88	10.49	12.27
14-PPEL15115	5/8	19.05	15.88	13.46	15.11
14-PPEL18215	3/4	21.84	15.88	16.64	18.16
14-PPEL21515	7/8	26.19	15.88	19.94	21.46
14-PPEL24515	1	28.58	15.88	22.68	24.46
14-PPEL27615	1-1/8	31.75	15.88	26.11	27.64
14-PPEL30915	1-1/4	35.71	15.88	29.21	30.86
14-PPEL34015	1-3/8	38.10	15.88	32.26	34.04
14-PPEL37115	1-1/2	41.66	15.88	35.31	37.08



Caps

Part Number	Thread Size	A	B	C	D
14-CPEL12212	1/2	18.80	12.70	12.19	13.72
14-CPEL14112	9/16	19.81	12.70	14.00	15.52
14-CPEL15412	5/8	21.34	12.70	15.37	16.89
14-CPEL18412	3/4	24.64	12.70	18.29	19.69
14-CPEL21712	7/8	28.58	12.70	21.59	22.99
14-CPEL24912	1	30.99	12.70	24.71	26.29
14-CPEL28214	1-1/8	33.78	14.27	27.76	29.34
14-CPEL31214	1-1/4	37.21	14.27	31.27	33.05
14-CPEL34314	1-3/8	40.39	14.27	34.04	35.81
14-CPEL37314	1-1/2	43.18	14.27	37.16	38.94

