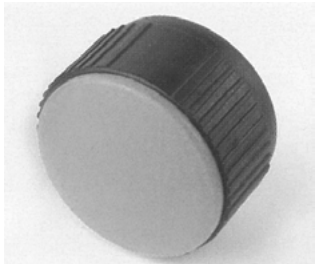


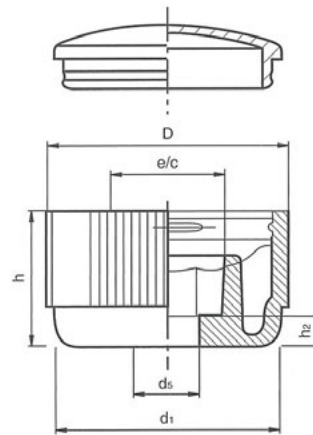
1196 – Contact Thermoplastic Knob - Female

Black reinforced thermoplastic base with cap. • Cap colours – Black, orange, red, blue, yellow, and silver

Part Number	D	H	d1	d5	h2	for	e/c
11-KPCX40H6	40	28	37	6.3	5	M6	10
11-KPCX40H8	40	28	37	8.5	5	M8	13
11-KPCX40H10	40	28	37	10.5	5	M10	16



11-KPCX - see below X =
 B – Black cap
 O – Orange
 R – Red
 BU – Blue
 Y – Yellow
 S – Silver



1196 – Contact Thermoplastic Knob - Female

Black thermoplastic base with cap • Cap colours – Black, orange, red, blue, yellow, and silver

Threaded female brass insert

Part Number	D	H	d1	d5	T6
11-KPCX40B6	40	28	37	M6	10
11-KPCX40B8	40	28	37	M8	14
11-KPCX40B10	40	28	37	M10	17



11-KPCX - see below X =
 B – Black cap
 O – Orange
 R – Red
 BU – Blue
 Y – Yellow
 S – Silver

