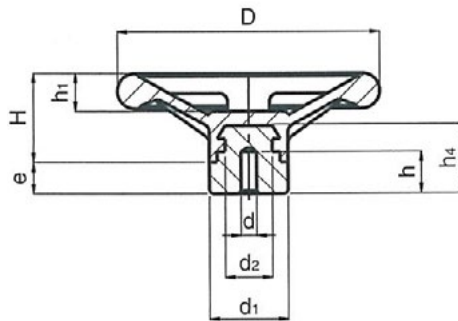


1131 - Phenolic Four Spoke Hand Wheel

Available in Black Duroplast • Treated Steel Insert

Part Number	D	H	d	h	d2	h4	d1	e	h1
11-HWSB100S5	100	30	5.25	20	18	26	30	16	15
11-HWSB125S8	125	28	8	25	28	32	40	22	14
11-HWSB150S10	150	48	10	30	30	55	50	30	18
11-HWSB175S10*	175	49	10	30	30	55	50	30	20
11-HWSB200S10	200	70	10	30	30	55	50	30	26
11-HWSB300S10	300	86	10	30	34	60	60	18	30



*Available with threaded smooth hole hub and threaded seat for handle part number #11-HWSB175S10H

1184 - Valve Phenolic Hand Wheel

Available in Black Duroplast • Treated Steel Insert

Part Number	D	H	d	h	d2	d1
11-HWVB128S10	128	38	10	21	20	30
11-HWVB150S10	150	61	10	31	20	34
11-HWVB160S10	160	50	10	31	22	35
11-HWVB200S10	200	54	10	31	30	48
11-HWVB250S10	250	61	10	31	30	50

